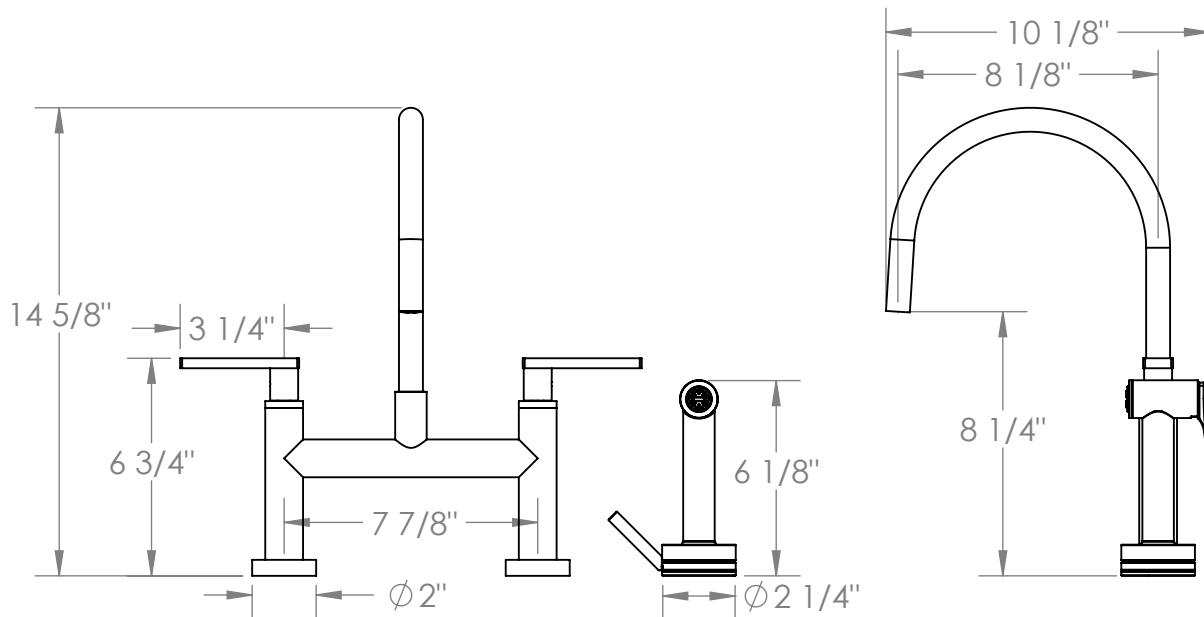


## 70-7.65G-RNS4

Deck Mounted Bridge Gooseneck Kitchen Faucet  
With Independent Side Spray  
Faucet Flow Rate: 1.75 GPM



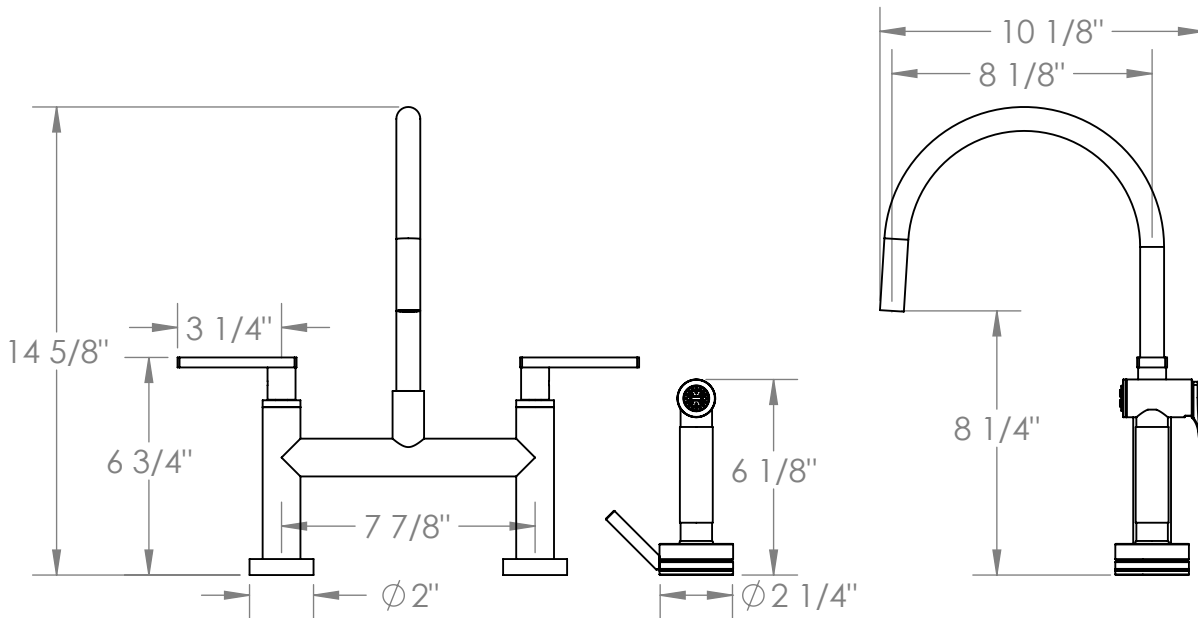
Meets the applicable requirements of ASME A112.18.1-2005/CSA B125.1-05, entitled "Plumbing Supply Fittings"

# **WATERMARK** DESIGNS 9/4/2019

350 Dewitt Ave Brooklyn NY 11207 USA T 718 257 2800 F 718 257 2144 info@watermark-designs.com

# 70-7.65G-RNK8

Deck Mounted Bridge Gooseneck Kitchen Faucet  
With Independent Side Spary  
Faucet Flow Rate: 1.75 GPM



Meets the applicable requirements of ASME A112.18.1-2005/CSA B125.1-05, entitled "Plumbing Supply Fittings"